

GX

Flexion Load Cell

DISTINCTIVE FEATURES

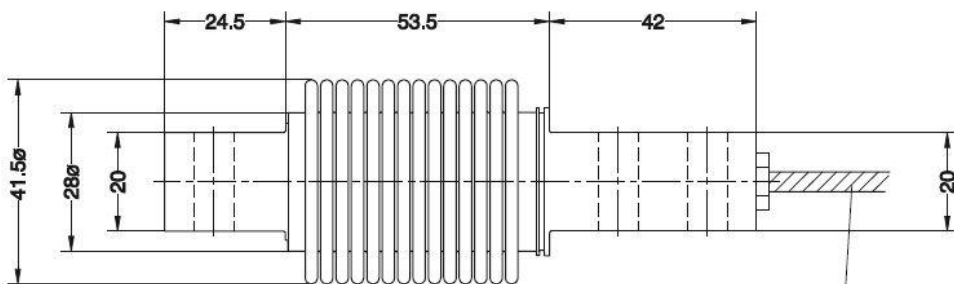
- Capacities: 5 kg to 500 kg
- Low profile stainless steel construction
- Protection IP67 (EN 60529)
- High accuracy
- Complies with OIML R60 regulations up to 4000d
- On request Ex II 3D (zone 22) version

APPLICATIONS

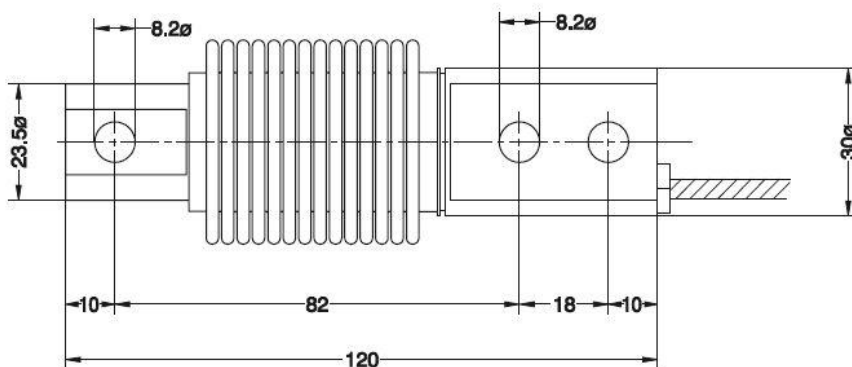
Flexion load cells mod. GX are mainly used in the construction of weighing system with low capacity range like: weigher belt; batching system for industrial products; weighing platform; weighing system for hopper, tank, etc.



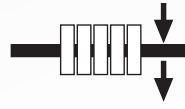
DIMENSIONS (mm)



PVC Cable 5 \varnothing 5m long.



Capacities	Standard	OIML	ATEX
5 kg	●	●	●
10 kg	●	●	●
15 kg	●	●	●
20 kg	●	●	●
30 kg	●	●	●
50 kg	●	●	●
75 kg	●	●	●
100 kg	●	●	●
150 kg	●	●	●
200 kg	●	●	●
250 kg	●	●	●
300 kg	●	●	●
500 kg	●	●	●



GX

Flexion Load Cell

TECHNICAL DATA

Accuracy class	Standard	OIML C3	OIML C4	Accuracy class	Standard	OIML C3	OIML C4
Capacities fs (E _{max})	5 ÷ 500 kg	10 ÷ 250 kg	30 ÷ 250 kg	Temp. effect on rated output (5°C)	<± 0,008% fs	<± 0,003% fs	<± 0,0025% fs
Rated output (C _n)	2 mV/V ± 0,1%			Compensated temperature range	-10°C ÷ +40°C		
Y = E _{max} / V _{min}	//	12000	12000	Operating temperature range	-15°C ÷ +70°C		
Nominal excitation range	5 ÷ 10V			Maximum safe load	150% fs		
Maximum excitation	15V			Ultimate load	>300% fs		
Zero balance output	± 0,02 mV/V			Protection class (EN60529)	IP67		
Input resistance	400 ± 25 Ω			Material	Acciaio Inox		
Output resistance	350 ± 2 Ω			Displacement at nominal load	0,30 ÷ 0,90 mm		
Insulation resistance	> 5 GΩ			Fixing screws tightening torque	18 Nm		
Combined error	<± 0,025% fs	<± 0,022% fs	<± 0,018% fs	Weight	~ 0,5 kg		
Non repeatability	<± 0,015% fs	<± 0,008% fs	<± 0,007% fs	Cable length	5m - 6 x 0,14 mm ²		
Creep 30 min.	<± 0,03% fs	<± 0,024% fs	<± 0,018% fs	Test certificate - Number	E - 99.02.C02		
Temp. effect on zero balance (5°C)	<± 0,02% fs	<± 0,018% fs	<± 0,01% fs				

WIRE DIAGRAM

